

Item number	Description
1772-2205000	PUMA pump control without communication interface.
1772-20225042	PUMA pump control with 4G modem.
1772-20225002	PUMA pump control with NB / IoT modem.
1772-20220042	PUMA 4G modem
1717-20220002	PUMA NB/IoT modem



Local Supplier:

PUMA

Quickguide

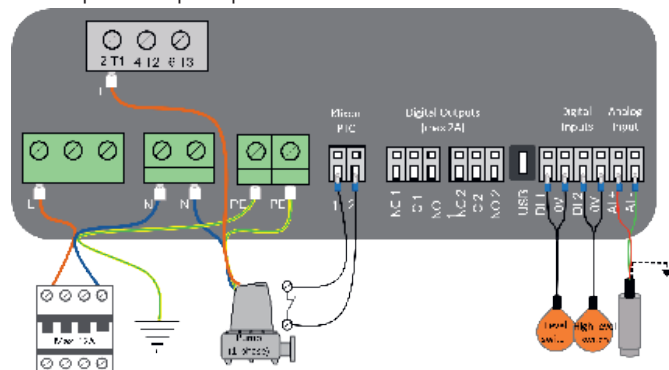
Display

PUMA comes with a 2.4 "OLED display. Display structure is built intuitively and with fast user understanding and can be operated via push buttons on the front panel.

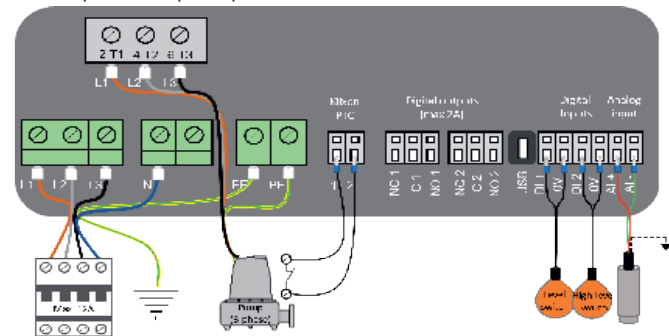
The normal menu display is deactivated after 5 minutes and goes into a pause mode where the level is displayed in different places on the screen.

Electrical installation

1-phased pump



3-phased pump



Menu structure



*Trip Class: In addition to a protection of the contactor itself (6 x I_r for a maximum of 2 sec.). You can also select motor protection based on the following trip classes:
 Class 5: 2.25 x I_r (max 5 seconds)
 Class 10: 2.25 x I_r (max 10 seconds.)
 Class 20: 2.25 x I_r (max 20 seconds.)

