

Product number	Description
mini-GoPLe-10-20	13 mm. pressure transmitter 0-10m (Signal 4-20mA) with 20 mtr. PUR cable.
mini-GoPLe-30-35	16 mm. pressure transmitter 0-30m (Signal 4-20mA) with 35 mtr. PUR cable.
mini-GoPLe-30-50	16 mm. pressure transmitter 0-30m (Signal 4-20mA) with 50 mtr. PUR cable.
mini-GoPLe-4-10	19 mm. pressure transmitter 0-10m (Signal 4-20mA) with 10 mtr. PUR cable.



Local Supplier:

Mini-GoPLe Quickguide

About mini-GoPLe

ACOWA mini-GoPLe is a level pressure transmitter with a diameter of 13mm, 16mm or 19mm.

The mini-GoPLe is a precise 2-wire transmitter with a silicon piezo-resistive measurement system and a sensor membrane in AISI316 stainless steel.

ACOWA mini-GoPLe is calibrated and uses both atmospheric pressure and temperature compensation in its amplifier circuit to translate the absolute pressure of the measurement medium to a precise standard voltage or current signal.

Applications

ACOWA mini-GoPLe is designed for use in water supply and waste water applications.

- Hydraulic monitoring
- Deep well level measurement
- Liquid measuring for city water supply
- Sewage treatment
- Tank level monitoring
- Water-saving irrigation
- Ground water monitoring

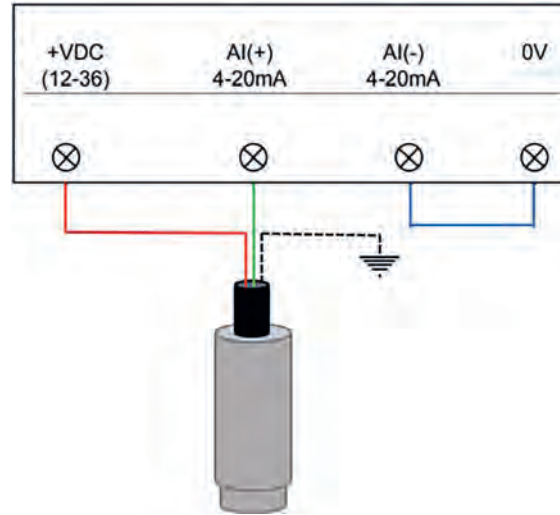
Features

- Diameter: Ø13mm, Ø16mm or Ø19mm
- Long service life.
- Silicon Piezo-resistive measuring cell
- CE certificate.
- PUR Cable

Installation and specifications

For installation of the mini-GoPLe, the following specifications may be required.

wNOTE! mini-GoPLe is not EX-rated and therefore cannot be used for installation in EX areas.



Pressure medium	Liquid compatible to stainless steel
Pressure ranges	0-0.5m - H20-200m
Output signal	4-20mA, (0.4-4,5V, 0-10V) option
Accuracy	0.5% FS (standard)
Long term stability	0.2% FS/år
Operating temperature	0 - +100°C
Supply voltage	10 - 28V DC
Enclosure class	IP68
Material of wetted part and housing	AISI 304 stainless steel
Material of pressure membrane	AISI 316 stainless steel
Size	Ø13mm L=110 - Ø16mm, Ø19mm L=140mm
Cable	PUR cable

