

Product number	Description
1772-2203001	CaNaRy Sulfur Hydrogen measuring Cell 0-300ppm / 4-20mA.
1772-2201010	Sensor tube for measuring cell with 10 mtr. PUR cable.
1772-2201015	Sensor tube for measuring cell with 15 mtr. PUR cable.
1772-2201030	Sensor tube for measuring cell with 30 mtr. PUR cable.



Local Supplier:

CaNaRy Quickguide

About CaNaRy

CaNaRy is a unique sulfur hydrogen meter.

CaNaRy is designed for installation in pumping stations and other sewage related applications.

CaNaRy is a Danish developed and produced product, and comply with all specifications for electronics components, for installation in harsh environments.

CaNaRy Functions

CaNaRy measures hydrogen sulphide content in gaseous form with a measuring range from 0-300ppm and converts this into a standard 4-20mA signal.

The measuring cell is factory calibrated and does not need calibration again throughout the entire lifetime of the cell.

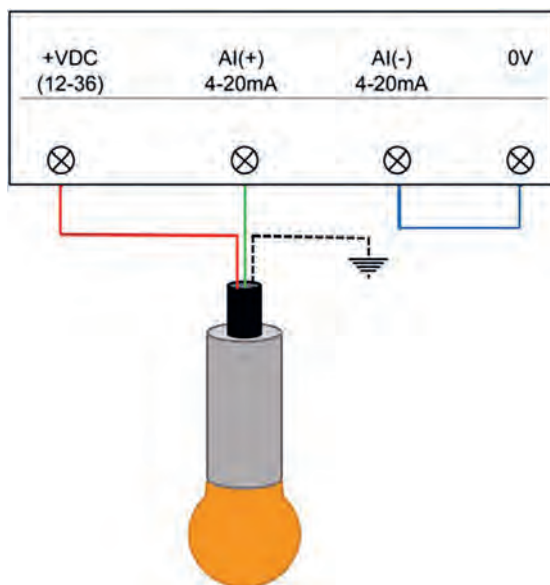
Whilst the CaNaRy is designed to be highly specific to the gas it is intended to measure, it will vary how it responds to other gases. Therefore, be aware that exposure to other gasses, can have a negative effect on the CaNaRy's lifetime expectancy.

Installation and measures

For installation of the CaNaRy, the following specifications may be required.

NOTE! CaNaRy is not designed for immersion into liquids.

CaNaRy is not EX-rated and therefore cannot be used for installation in EX areas.



Size	L = 235mm, B = 81mm
Weight	760g without the cable
Power Supply	24V DC (10V DC – 28V DC)
Installation	Red = Power Supply Green = Signal Black = Screen
Cable length	Standard 10m (Can be delivered with the length of up to 30 meters cable on request)
Free fall drop	30 cm

Specifications

Sensortype	Sure Cell
Range	0-300ppm
Signal type	4-20 mA
Resolution	0.25ppm
Cable length	10m
Maximum diameter	81mm
Sensor housing	Impact resistant PP (Glass fiber 30%)
Cable housing	AISI 304
Cable bushing	TPU
Cable material	PUR
Enclosure class	IP65
Max. operating temperature	+50°C
Lifetime expectancy	2 years in non-condensing relative humidity
Power Supply	10-35 V DC
Operation temperature	-20 -+50°C
Certification	CE



AGOWA
INSTRUMENTS